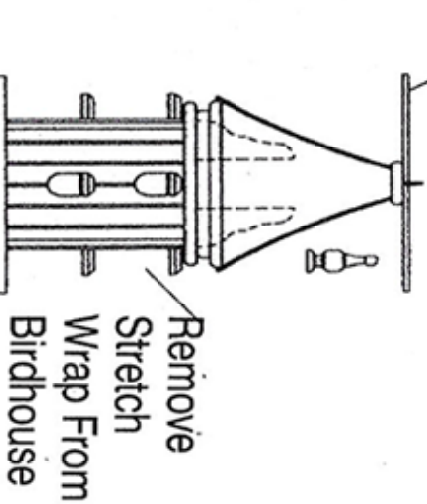
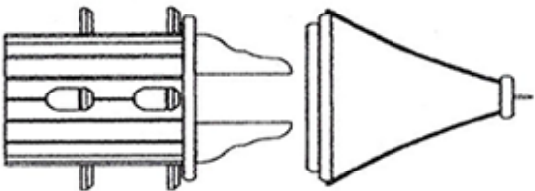


UNPACKING INSTRUCTIONS

Remove 1/4 Plywood
(for shipping only)



Remove 1/2 Foam Bd
(for shipping only)



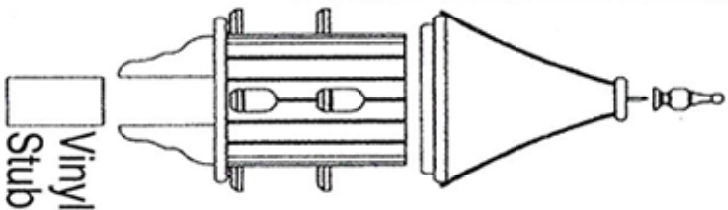
When you remove product from box, it will look like this.

Remove Stretch Wrap From Birdhouse

Now Separate the Copper Roof From the Birdhouse Base (the Base is Upside Down)

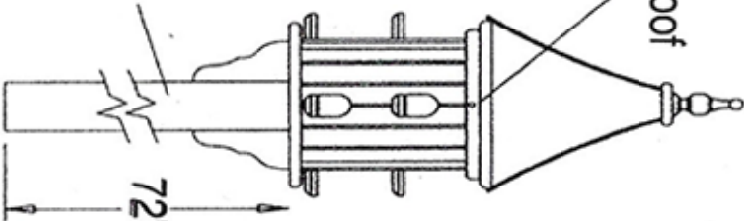
ASSEMBLY INSTRUCTIONS

Post height can vary 5 ft. to 6 ft. on Birdhouses and 4 1/2 ft. to 5 ft. on Birdfeeders.



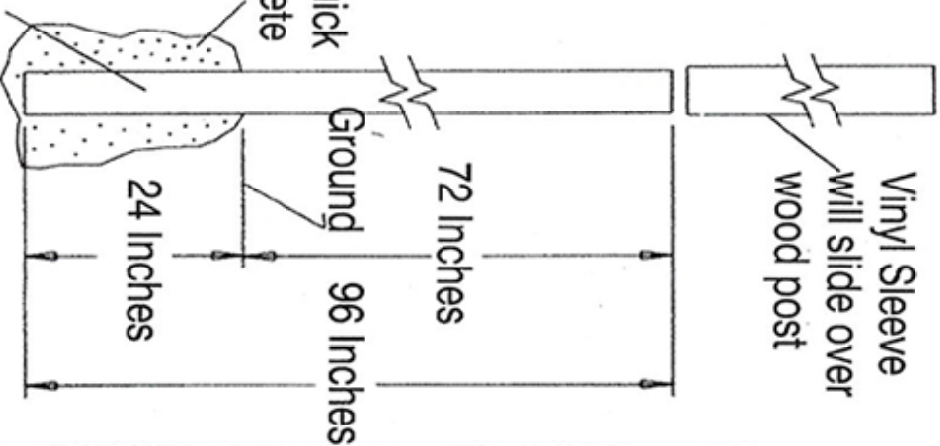
Vinyl Stud

Screw Roof in Place



Vinyl Sleeve Post

Quick Crete



Vinyl Sleeve will slide over wood post

4" x 4" x 96"
Pressure Treated Wood Post

All Birdhouses are shipped with a Vinyl Stud mounted in bracket legs. It is removable. Now the Birdhouse can be mounted on a 4" x 4" x 72" Vinyl Sleeve Post.